

# PPC-115W

## 15.6" All-in-One Panel PC with Rockchip RK3399 processor and Android 10 OS



### Features

- True flat wide display screen with Pcap multi-touch
- Embedded Rockchip RK3399 processor, Dual-core Cortex-A72 up to 1.8GHz and Quad-core Cortex-A53 up to 1.4GHz
- Onboard 2GB LPDDR4-1333 memory, 16GB eMMC NAND Flash
- IP65 rated front panel protection
- Supports VESA 100 and panel mounting(optional)
- Supports Android 10 pre-installed or Debian 9 (optional)



### Introduction

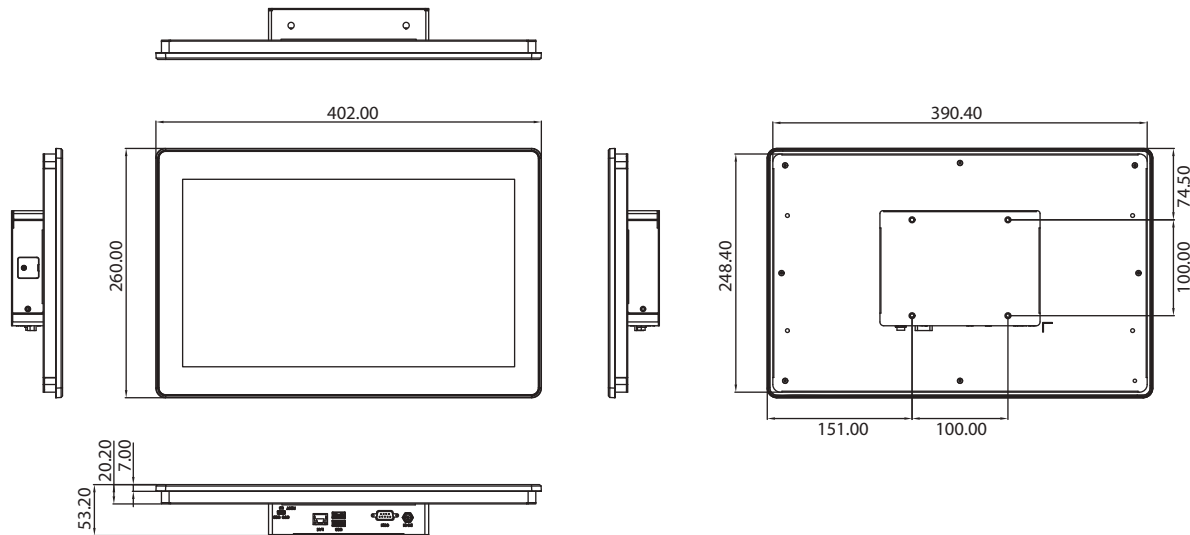
PPC-115W is 15.6" All-in-One PPC with Rockchip RK3399 processor and Android 10 OS pre-installed. Featuring 15.6" wide screen display and 10 points Pcap multi-touch, IP65 rated front panel, VESA or panel mounting support, PPC-115W provides friendly experience and reliable integration possibility. External 2 x USB 2.0/3.0, 1 x RS-232 expands more flexible connection. Pre-installed Android 10, PPC-115W helps customer visiting web information quickly in various IoT applications.

### Specifications

Model	PPC-115W-PK91A		PPC-115W-PK91B
System	CPU	Rockchip RK3399 Big.Little architecture: Dual Cortex-A72 + Quad Cortex-A53, 64-bit CPU	
	GPU	Mali-T860	
	Memory	On-board 2GB LPDDR4-1333	
	Network (LAN)	1 x 10/100/1000 Mbps Ethernet (RTL8211FSI)	
	I/O ports	1 x USB 2.0; 1 x USB 3.0; 2 x USB 2.0 (internal by request) 1 x micro USB OTG 1 x RS 232; 1 x RS232 (internal by request) 1 x DC in 5 x GPIO (by request) (3.3V TTL level)	
	Expansion	1 x M.2 2230 Key E slot for wireless card	
	Watchdog Timer	Max timeout: 21s, Default timeout: 10s	
General	Storage	16GB eMMC NAND Flash; 1x Micro SD slot	
	Input Voltage	12V <sub>DC</sub> , 36W adapter	
	OS	Android 10 (default), Debian 9 (optional)	
	Weight	2.6kg	
	Dimensions	402.0 x 260.0 x 53.2 mm	
	Mounting	VESA 100, Panel mounting (optional)	
	Display	Size	15.6" Panel
Resolution		1366 x 768	1920 x 1080
Viewing Angle		45 (left), 45 (right), 15 (up), 35 (down)	85(left), 85(right), 85(up), 85(down)
Brightness		220	250
Contrast Ratio		400	800
Backlight Lifetime		15,000 hrs (Min.)	
Touch screen	Type	Projected Capacitive Multi-touch	
	Light Transmission	≥ 88%	
	Interface	USB	
Environment	Operating Temperature	0 ~ 50°C	
	Storage Temperature	-20 ~ 60°C	
	Humidity	10 ~ 95% @ 40°C (non-condensing)	
	Shock	Operating 10 G peak acceleration (11 ms duration), follow IEC 60068-2-27	
	Vibration	Operating Random Vibration Test 5-500Hz, 0.5Grms, follow IEC 60068-2-64	
	EMC	CE, FCC Class B, BSMI	
	Safety	CB, UL, CCC, BSMI	
	Front panel	IP65 compliant	

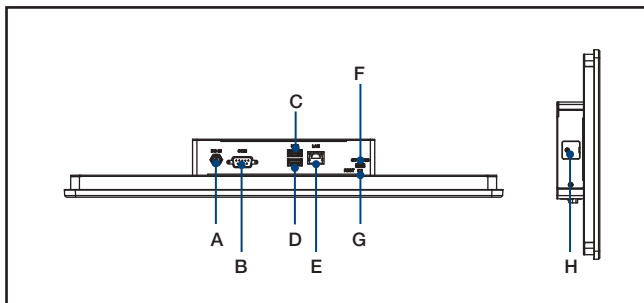
## Dimensions

Unit: mm



**Panel Cutout Dimensions: 392.00 x 250.00 mm (15.43 x 9.84 in)**

## I/O View



- A. DC-IN
- B. 1 x RS-232
- C. 1 x USB 2.0
- D. 1 x USB 3.0
- E. 1 x LAN
- F. 1 x Micro USB OTG
- G. 1 x Reset button
- H. 1 x Micro SD slot

## Ordering Information

Part Number	Description
PPC-115W-PK91A	15.6" All-in-one Panel PC with true-flat HD LCD, Rockchip RK3399 and Android, 2GB LPDDR4, assembled in China
PPC-115W-PK91B	15.6" All-in-one Panel PC with true-flat FHD LCD, Rockchip RK3399 and Android, 2GB LPDDR4, assembled in China
PPC-115W-PK91BU	15.6" All-in-one Panel PC with true-flat FHD LCD, Rockchip RK3399 and Android, 2GB LPDDR4, assembled in Taiwan
PPC-ARM-A03	ARM VESA Standard (A-CLEVER) for PPC series
PPC-174T-WL-MTE	Wall mount kit for PPC series
98R3P115W00	Panel mount kit for PPC-115W
98R3P115W10	Wifi module for PPC-115W
PPC-Stand-A1E	Stand for PPC series
1700001524	Power cord 3P UL 10A 125V 1.8M
170203183C	Power cord 3P Europe (WS-010+083) 183cm
1700008921	Power cord 3P/3P 1.8M PSE
96CB-POWER-B-1.8MB	Power cord 3P CCC(China) 1.8M
96PSA-A36W12W7-5	ADP A/D 100-240V 36W 12V C6 LOCK DC JACK 62368

Please note: If some optional modules are offered with the system, additional system certificates may be required in certain regions/countries. Please contact Advantech for certificate compliance.