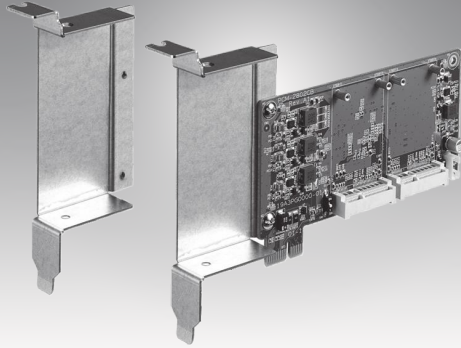


PCM-28P1AD PCM-28P1BK

PCIe to mPCIe, 2-Slots mPCIe, iDoor I/O plate expansion iDoor PCIe I/O Plate

NEW



PCM-28P1BK

PCM-28P1AD



Features

- Meets Advantech iDoor technology standard
- PCI Express base SPEC 2.0 and backward compatible with SEPC 1.1 & 1.0a compliant
- PCI Express® Mini Card specification revision 1.2 compliant
- Expands two external full-size mPCIe slots from an existing PCIe slot
- Expands one external iDoor I/O module plate from existing PCIe plate
- Supports Microsoft® Windows® XP/7/8
- Supports control DIN-Rail PC UNO-1400 series
- Supports control cabinet PC UNO-3200/3300/3400 series

*Please visit Advantech's websites for the latest iDoor modules support information

Introduction

The PCM-28 series are expansion kits providing multi-application solutions using Advantech iDoor technology. They are all compatible with the PCI Express® Mini Card Specification Revision 1.2, including isolated / non-isolated RS-232/422/485 communication cards for automation control, Wi-Fi/3G/GPS/GSM/LTE wireless communication models for data exchange for management and machine level automation applications; the ZigBee module serves as an IoT terminal or controller, and PoE function for smart cameras in detection-inspection-production applications. This is a flexible design that enables customers to customize their features with iDoor Technology.

Specifications

General

- Bus Type** PCI Express® Rev. 2.0 compliant
- Interface** PCI Express® Mini Card Specification Revision 1.2 compliant
- Certification** CE, FCC class A
- I/O Connectors** 1 x PCI Express Male, 2 x mPCIe Female
- Dimensions** 173 x 120.8 x 21.6mm (6.8" x 4.8" x 0.9")
- Power Consumption** Input: +12 V/2.1 A, +3.3 VSB/375 mA
Output: +3.3 V/1.1 A, +1.5 V/375 mA

Software

- OS Support** Windows® XP/7/8

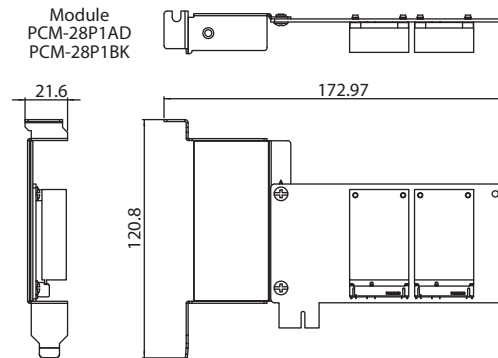
Environment

- Humidity (Operating)** 5-95% RH, non-condensing
- Operating Temperature** -20 ~ 60°C (-4 ~ 140°F)
- Storage Temperature** -40 ~ 85°C (-40 ~ 185°F)

Supports iDoor Module

- PCM-24D2R2-BE** 2-Port Isolated RS-232, mPCIe, DB9, USB type
- PCM-24D2R4-BE** 2-Port Isolated RS-422/485, mPCIe, DB9, USB type
- PCM-24D4R2-BE** 4-Port Non-Isolated RS-232, mPCIe, DB37 cable, USB type
- PCM-24D4R4-BE** 4-Port Non-Isolated RS-422/485 mPCIe, DB37 cable, USB type
- PCM-26D2CA-AE** 2-Port Isolated CANBus mPCIe, CANOpen, DB9
- PCM-27D24DI-AE** 24-Channel Isolated Digital I/O w/ counter mPCIe, DB37
- PCM-2300MR-AE** MR4A16B, MRAM, 2 MByte, mPCIe
- PCM-24S2WF-AE** Wi-Fi 802.11 a/b/g/n 2T2R w/ Bluetooth4.0, Half-size mPCIe, 2-port SMA
- PCM-24U2U3-AE** 2-Port USB 3.0, mPCIe, USB-A type

Dimensions

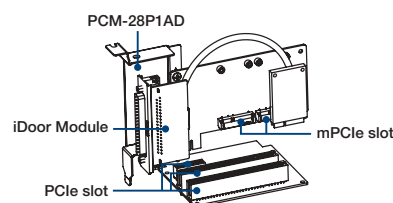


Ordering Information

- PCM-28P1AD-AE** PCIe to mPCIe, mPCIe Slot x2, iDoor PCIe I/O plate x1
- PCM-28P1BK-AE** iDoor PCIe I/O Plate

User scenario

2-Slots mPCIe expansion



iDoor with PCIe I/O Plate

